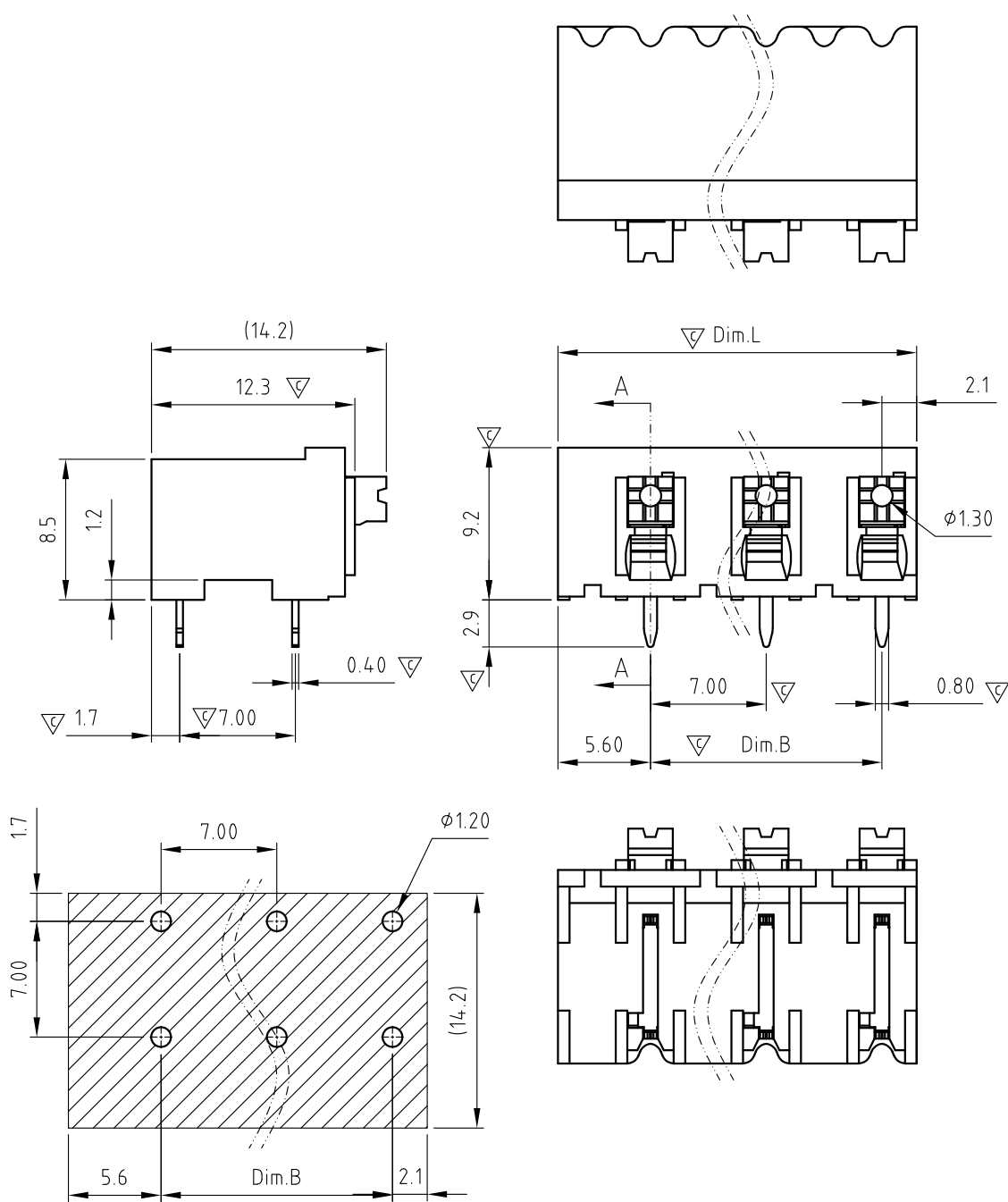


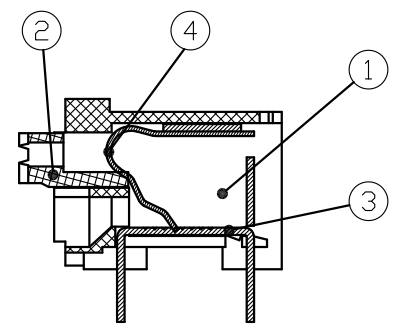
Transfer or duplication of this document as well as the utilisation or communication of its content are not permitted unless express consent is granted. Violations give rise to claims for damages. All rights reserved in case of patent, utility model or design patent registrations.



- Technical data
- Nominal voltage: 300V/10A (IEC 320V/17.5A)  
PITCH:7.0mm
  - Connection capacity:  
AWG 24-16 / 0.2-1.5mm<sup>2</sup>
  - Insulation Withstanding Voltage:  
AC 1600V/MIN
  - Insulation Resistance:  
1000MΩ or more at DC500V
  - Stripping length: 8-9mm
  - Using temperature range:-40°C-130°C  
Soldering temperature:260±5°C /10s

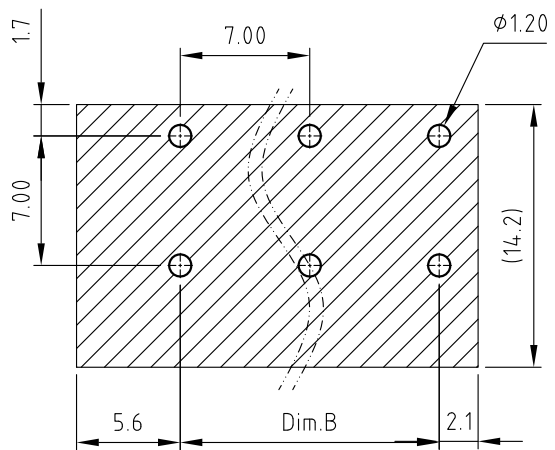
7.Undimensioned Tolerances:

Dim.L=(P-1)×7.0+7.7	Dim B	Dim L
Dim.B=(P-1)×7.0		
P= number of poles(2-12P)		
0-30mm	±0.15	±0.20
over 30mm-60mm	±0.20	±0.25
over 60mm-90mm	±0.25	±0.30
over 90mm	±0.30	±0.40



SECTION A-A

- Safety approval: Pending
  - RoHS Compliance
  - Critical dimension:
- SEHS700 xx 0 xxx  
 ①  
 ② Custom  
 000 "K" logo 00K KUNACON logo



PCB LAYOUT

4	SPRING	SUS301 t=0.25mm						P
3	CONNECT	C5210H t=0.40mm				TIN PLATED		P
2	LEVEL	POM,0%GF UL94V-0				WHITE		P
1	BODY	PA6T,30%GF UL94V-0				BLACK		1
ITEM	NAME OF PART	MATERIAL	NOTES				Q'TY	
DWG.	NEAL Zhang	DATE	2022.06.23	UNITS:	MM	SHEET:	1 OF 1	Tolerance
CHK.	NEAL Zhang	DATE	2023.04.26	SCALE:	NONE 2.5:1 ( : )	REV:	B	X. ±0.50
APP.		DATE		TITLE:	SE-HS700-180D Series PCB terminal block			X.X ±0.30
				PART NO.:	SEHS700xx0xxx			X.X ±0.10
				DWG NO.:	SE-HS700-B001			X° ±1°

B		本體變更材料	NEAL	4/26-23
REV	SIGN	DESCRIPTION	CHK.	DATE



KUNA Contact Technology Co, Ltd  
<http://www.kunacon.com>